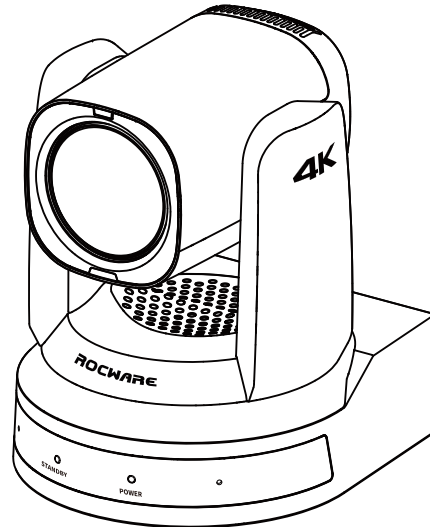


RC841U

ROCWARE®

4K Video Conferencing PTZ Camera



Quick Start Guide

* The default HDMI output resolution is 1080P30, please set it to 4K by Remote Control if needed.

Pack List

Lista de Embalaje (ES)

Lista de Embalagem (PT)

Elenco Imballaggio (IT)

装箱清单 (CN)

装箱清單 (TC)

Verpackungsliste (DE)

梱包リスト (JP)

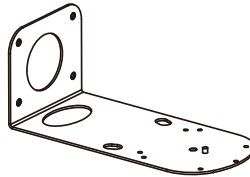
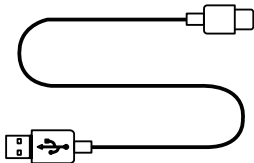
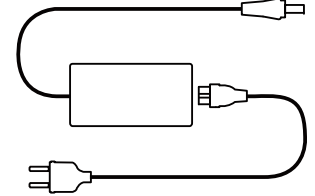
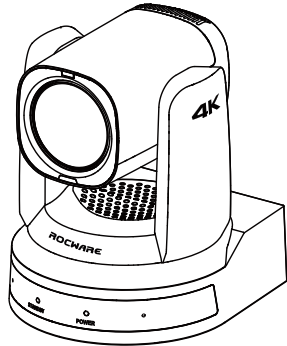
Liste de Box (FR)

Список упаковки (RU)

قائمة محتويات (AR)

포장 명세서 (KO)

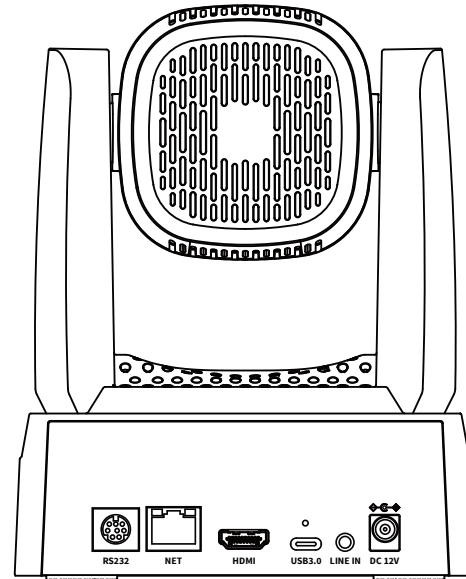
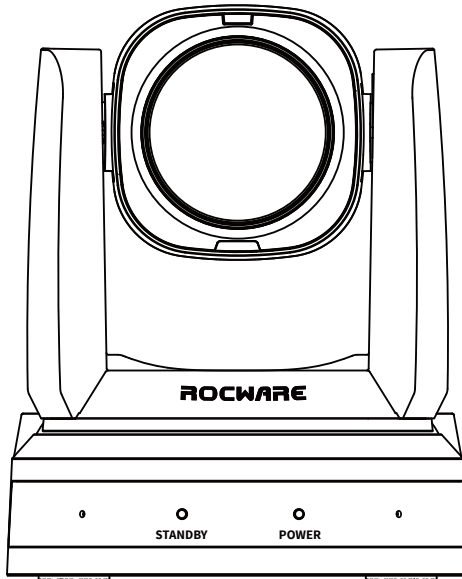
पैकिंग सूची (HI)



Appearance and Interface

Apariencia e interfaz (ES) 外观和接口 (CN)
Aparência e interface (PT) 外觀和介面 (TC)
Aspetto ed interfaccia (IT) Aussehen und Schnittstelle (DE)

外観とインターフェース (JP) واجهة اول او رهظم ل (AR)
Aspect et interface (FR) 외관과 인터페이스 (KO)
Внешний вид и интерфейс (RU) बाह्य रूप और इंटरफेस (HI)



Dimension

Dimensiones (ES)

Dimensões (PT)

Dimensioni (IT)

尺寸 (CN)

尺寸 (TC)

Abmessungen (DE)

寸法 (JP)

Dimensions (FR)

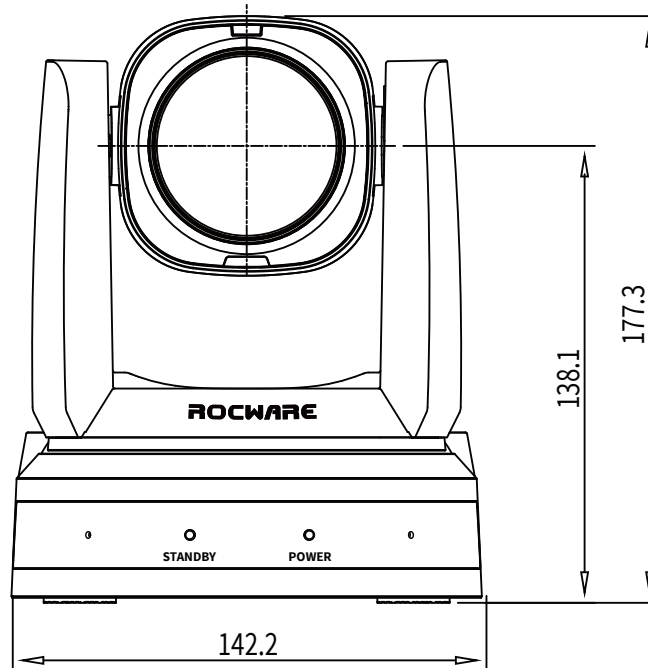
Размеры (RU)

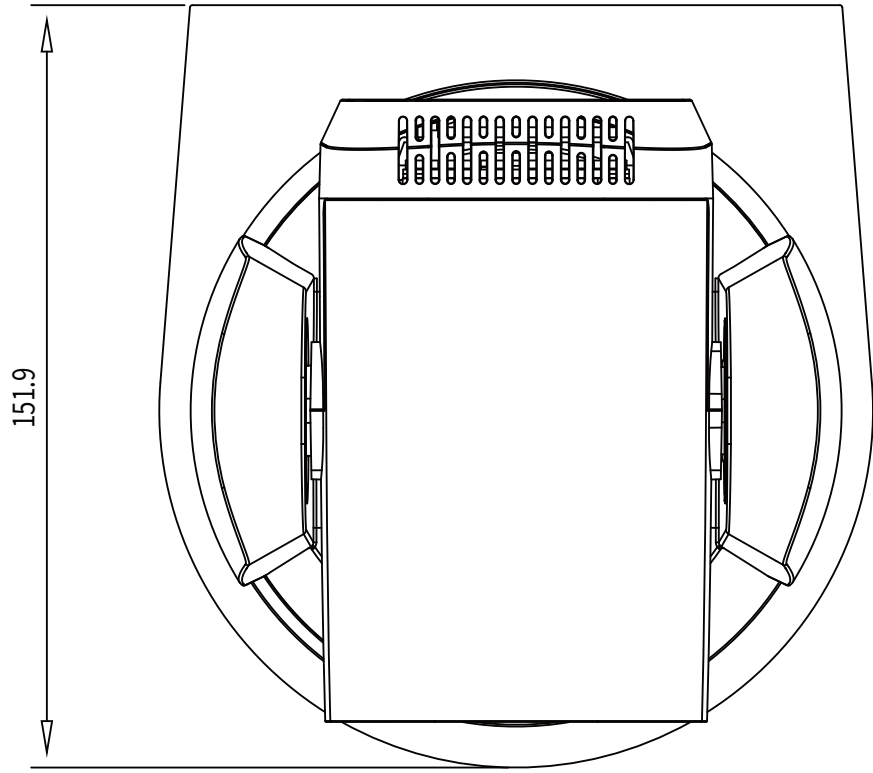
داعب أواع (AR)

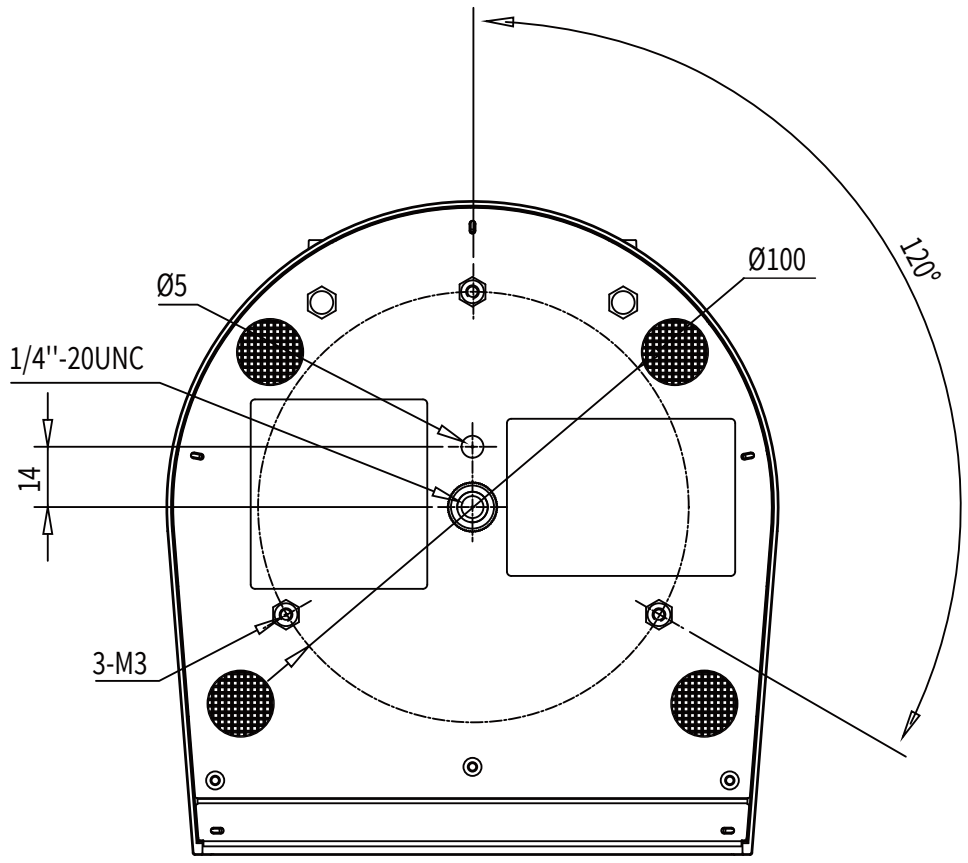
크기 (KO)

आयाम (HI)

Unit: mm







Wall Mount

Instalación de Pared (ES)

Montagem na Parede (PT)

Montaggio Parete (IT)

壁装 (CN)

壁装 (TC)

Wandmontage (DE)

かべづみ (JP)

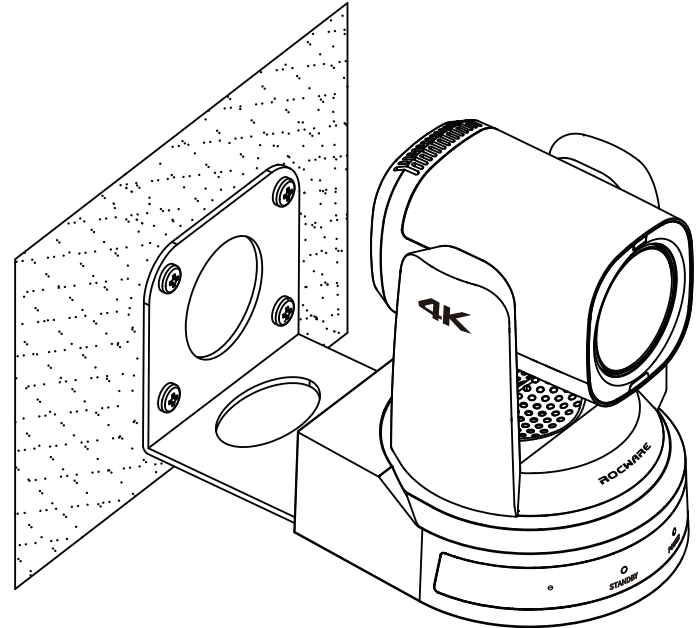
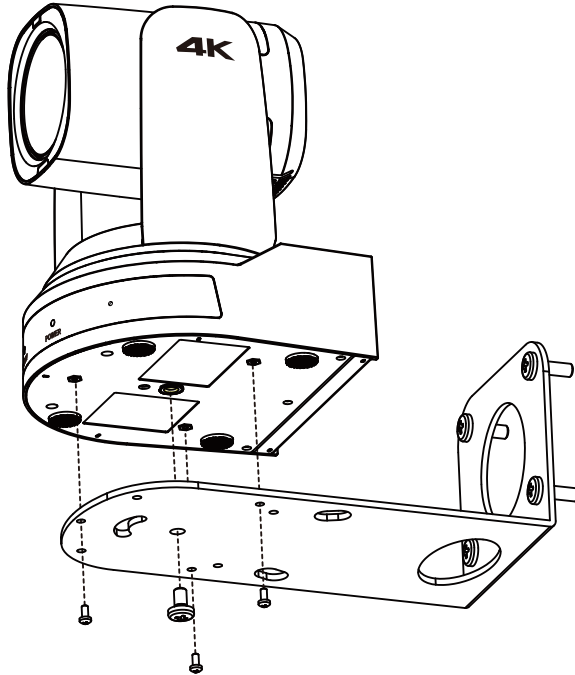
Le Chargement de Paroi (FR)

Настенная установка (RU)

طوائح لاي لى بع بي كرت (AR)

벽면 마운트 (KO)

वाल माउन्टेड स्थापना (HI)



Ceiling Mount

Montaje en el Techo (ES)

Suporte de Teto (PT)

Montaggio a Soffitto (IT)

吊裝 (CN)

吊裝 (TC)

Deckenmontage (DE)

天井取り付け (JP)

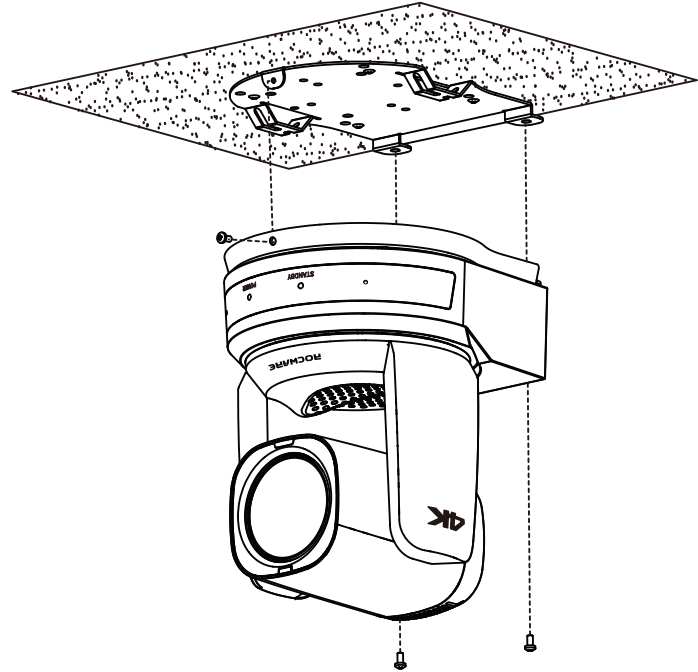
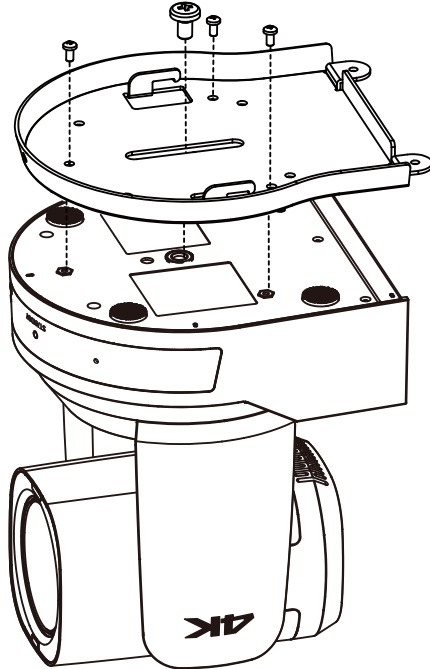
Montage au Plafond (FR)

Крепление к потолку (RU)

فقس لاسلاى لىع بى كرت (AR)

천장 부착 (KO)

छत स्थापना (HI)



Cabling

Cableado (ES)

Cablagem (PT)

Cablaggio (IT)

布线 (CN)

布線 (TC)

Verkabelung (DE)

ケーブル配線 (JP)

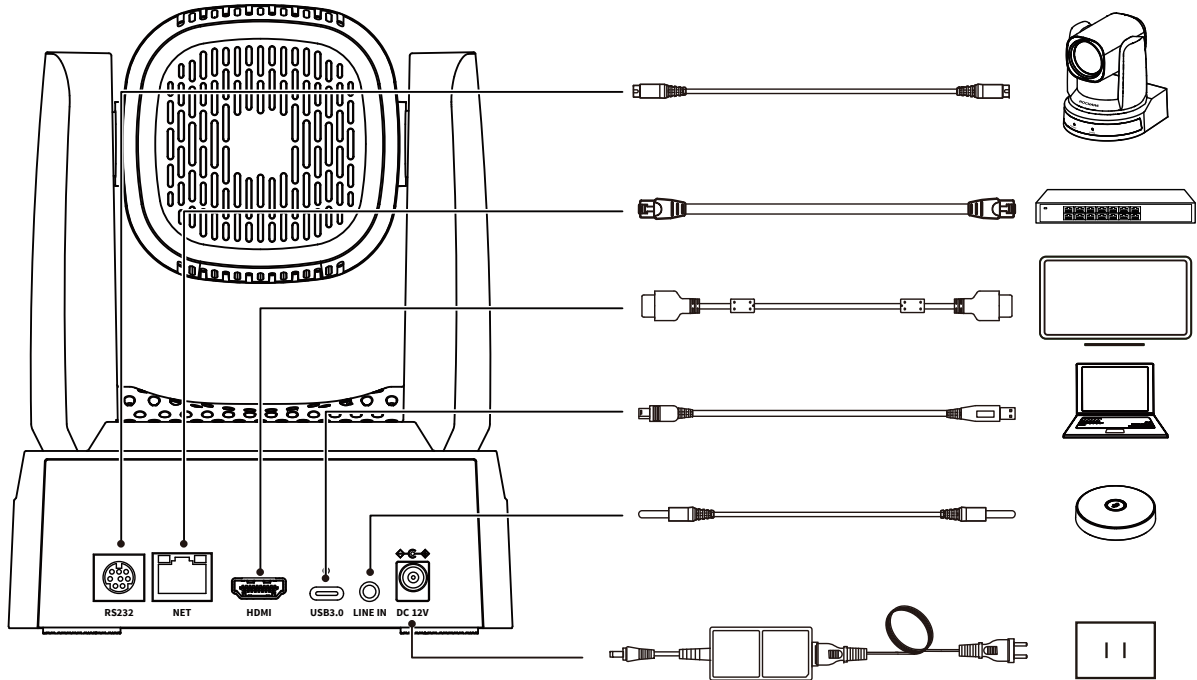
Câblage (FR)

Прокладка кабелей (RU)

لرباوك لال دي دم ت (AR)

케이블 배선 (KO)

केबल लगाना (HI)



Remote Control

Control remoto (ES)

遥控器 (CN)

リモコン (JP)

دعاب د ع م ك ح ت ل ا ز ا ه ج (AR)

Control remoto (PT)

遙控器 (TC)

Télécommande (FR)

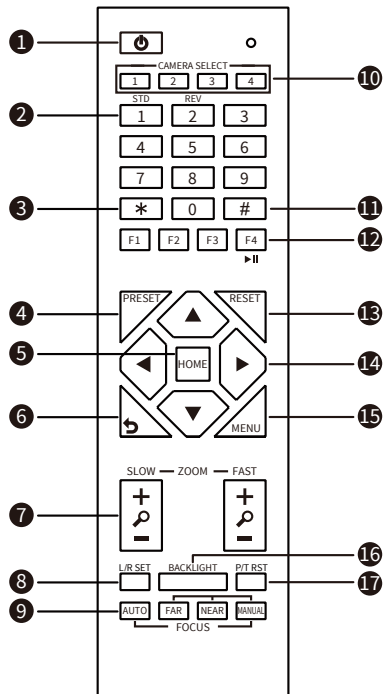
원격 제어기 (KO)

Telecomando (IT)

Fernbedienung (DE)

Пульт дистанционного управления (RU)

दूरसंचालक (HI)



No.	Key	Key Description
1	⏻ (Standby) Key	Press to enter standby mode
2	Number Keys	To set preset or call preset
3	* Key	Use with other keys
4	PRESET Key	Set preset: Successively press [PRESET] + Number key (0-9)
5	HOME Key	Confirm selection or press to turn PTZ back to the middle position
6	↶ (Return) Key	Press to return to the previous menu
7	ZOOM Keys	<ul style="list-style-type: none"> ● SLOW: Zoom In [+] or Zoom Out [-] slowly ● FAST: Zoom In [+] or Zoom Out [-] fast
8	L/R SET Key	<ul style="list-style-type: none"> ● Standard: Simultaneously press [L/R SET] + 1 ● Reverse: Simultaneously press [L/R SET] + 2
9	FOCUS Keys	Auto/Manual/Far-end/Near-end focus
10	CAMERA SELECT Keys	Press to select and control the camera
11	# Key	Use with other keys
12	IR Remote Control Keys	Successively press [*] + [#] + [F1]/[F2]/[F3]/[F4] to set the camera address 1/2/3/4
13	RESET Key	Successively press [RESET] + Number key (0-9) to clear preset position
14	PTZ Control Keys	PTZ moved according to the arrow indicates
15	MENU Key	Enter OSD menu or back to the previous menu
16	BACKLIGHT Key	Backlight ON/OFF: Press repeatedly to enable or disable the backlight compensation
17	P/T RST (PTZ Reset) Key	Press to preset Pan/Tilt self-test
-	Shortcut Set	<ul style="list-style-type: none"> Successively press [#] + [*] + [F4]: Enable or disable the Image Freeze function Successively press [*] + [#] + [1]: OSD menu default English Successively press [*] + [#] + [3]: OSD menu default Chinese Successively press [*] + [#] + [4]: Display current IP address Successively press [*] + [#] + [6]: Quickly recover the default Successively press [*] + [#] + [8]: Check the camera version Successively press [*] + [#] + [9]: Quickly set up inversion Successively press [*] + [#] + [MANUAL]: Restore to default IP address

Warranty | Copyright

EN: If failure caused by non-human causes occurs within three years from the product's purchase date, you may enjoy the warranty service of the product.
Copyright © ROCWARE 2024. All rights reserved.

ES: Si una falla causada por causas no humanas ocurre dentro de tres años desde la fecha de compra del producto, puede disfrutar del servicio de garantía del producto.
Derechos de autor © ROCWARE 2024. Todos los derechos reservados.

PT: Se uma falha causada por causas não humanas ocorrer dentro de três anos a partir da data de compra do produto, você pode usufruir do serviço de garantia do produto.
Copyright © ROCWARE 2024. Todos os direitos reservados.

IT: Se si verifica un guasto causato da cause non umane entro tre anni dalla data di acquisto del prodotto, è possibile usufruire del servizio di garanzia del prodotto.
Copyright © ROCWARE 2024. Tutti i diritti riservati.

CN: 如果产品购买日期起的三年内发生非人为原因引起的故障，您可以享受产品的保修服务。
版权所有 © ROCWARE 2024。保留所有权利。

TC: 如果產品購買日期起的三年內發生非人為原因引起的故障，您可以享受產品的保修服務。
版權所有 © ROCWARE 2024。保留所有權利。

DE: Wenn innerhalb von drei Jahren ab dem Kaufdatum des Produkts ein Ausfall aufgrund nicht menschlicher Ursachen auftritt, können Sie den Garantieservice des Produkts in Anspruch nehmen.
Copyright © ROCWARE 2024. Alle Rechte vorbehalten.

JP: 製品の購入日から3年以内に人為的な原因以外の故障が発生した場合、製品の保証サービスを利用できます。
Copyright © ROCWARE 2024。全著作権所有。

FR: Si une défaillance due à des causes non humaines survient dans les trois ans suivant la date d'achat du produit, vous pouvez bénéficier du service de garantie du produit.
Copyright © ROCWARE 2024. Tous droits réservés.

RU: Если отказ, вызванный нечеловеческими причинами, произойдет в течение трех лет с момента покупки продукта, вы можете воспользоваться гарантийным обслуживанием продукта.
Copyright © ROCWARE 2024. Все права защищены.

AR: جتتم لى نامضالاً ؤمءء نم ؤءافءسالال انكلمى جتتم الاءارش خىرات نم ؤاونس ؤالء لالء ؤىءىء ربى بابسأ ببسب لءع ؤءء اءل
رشن لالء بءالء ؤوؤء. © ROCWARE 2024 ؤظوفءم ؤوؤء لالء عىمء.

KO: 제품 구매일로부터 3년 이내에 인위적인 이유가 아닌 고장이 발생한 경우 제품의 보증 서비스를 받을 수 있습니다.
Copyright © ROCWARE 2024. 판권 소유.

HI: यद् उत्पाद की खरीद तथिसि तीन वर्ष के भीतर गैर-मानव कारणों से खराबी होती है, आप उत्पाद की वारंटी सेवा का आनंद ले सकते हैं।
कॉपीराइट © ROCWARE 2024. सभी अधिकार सुरक्षित हैं।

ROCWARE®

Rocware Corporation

3-1, No.2 Honghui Industrial Park, Xin'an Street,
Bao'an District, Shenzhen, China
www.rocware.com



User Manual

Part No.
079.79.1101567_V4.0